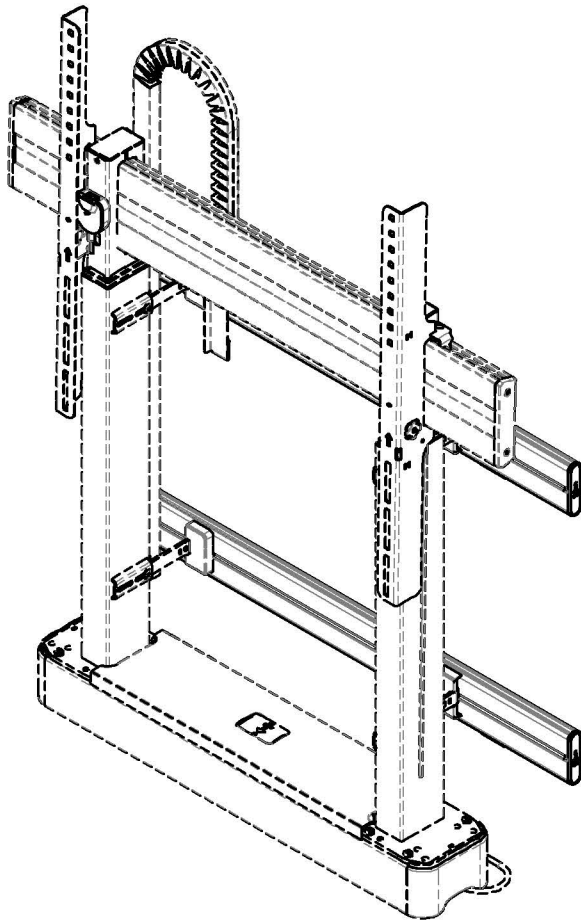


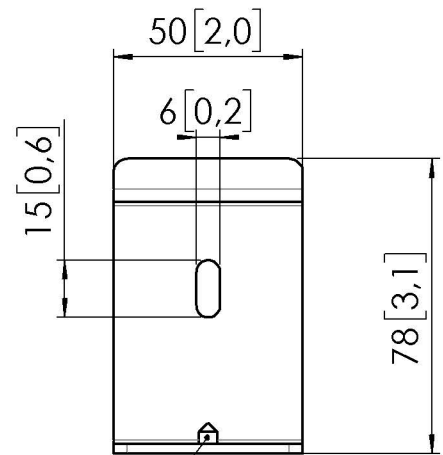
Product data sheet

RISE A164 STUD WALL PLATE



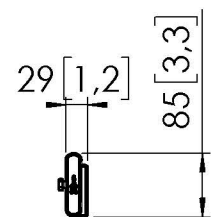
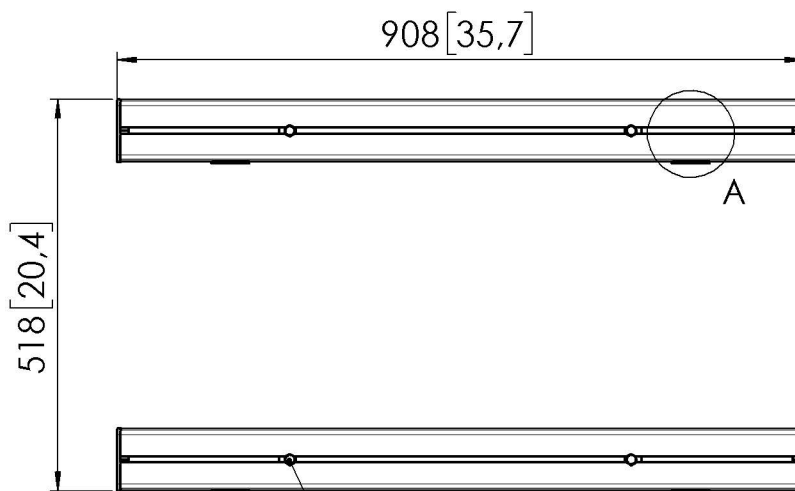
Dimensions in mm [inch]

Max load: 140 kg / 309 lbs
 Net weight: 2,93 kg / 6.45 lbs
 Gross weight: 3,15 kg / 6.94 lbs



M5 FLAT HEAD
SET SCREW

A (1 : 2)



4X M8 FIXATION

