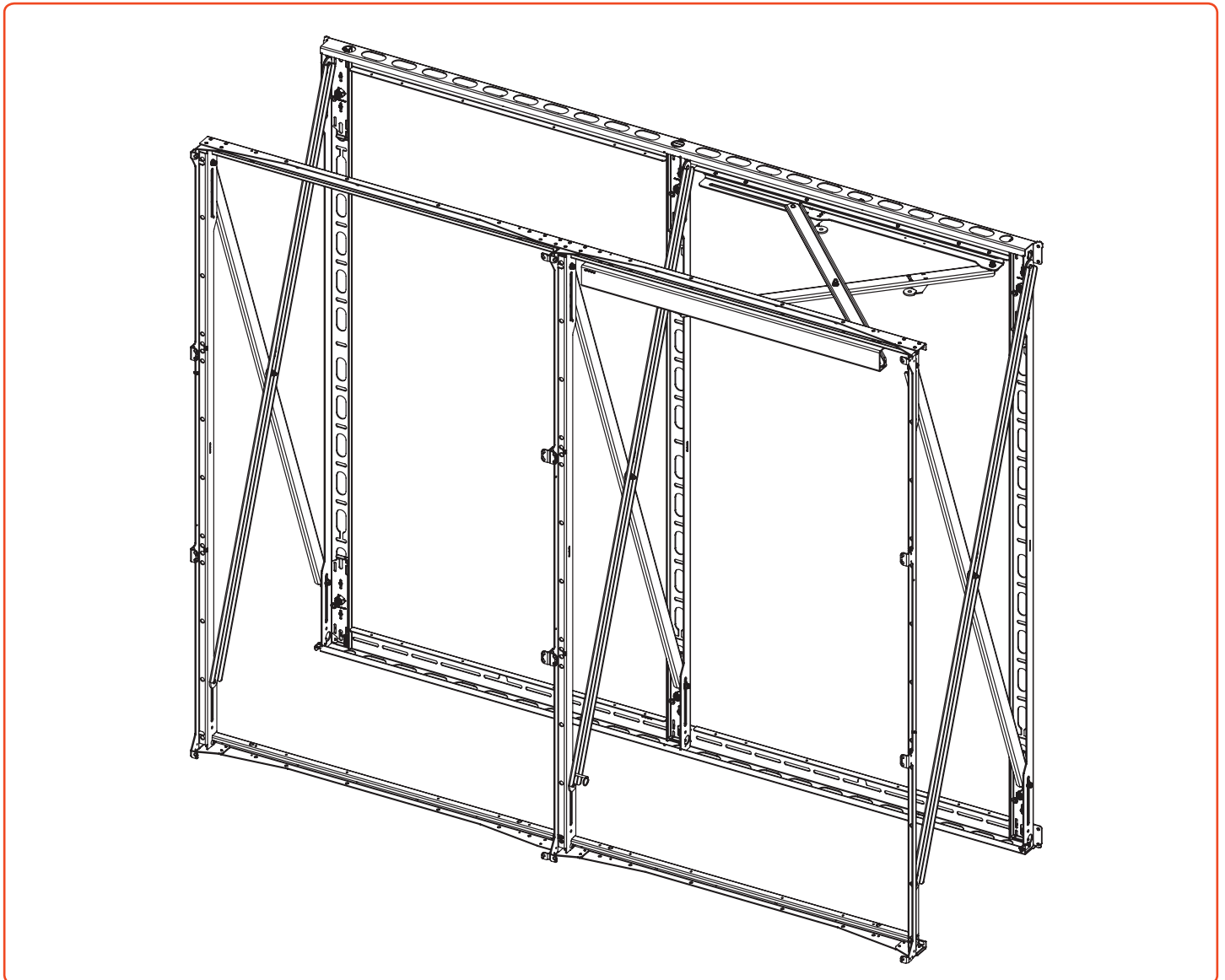
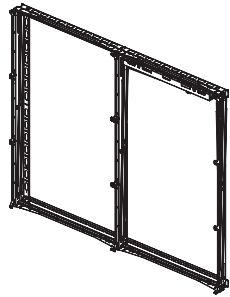


PLW 1004 - 2x3 LED video wall mount

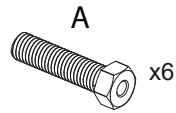
EN Mounting instructions	IT Istruzioni di montaggio	RU Инструкция по сборке и установке	RO Instrucțiuni de montaj
DE Montageanleitung	PT Manual de montagem	CZE Návod k montáži	UK Вказівки по монтажі
FR Consignes d'installation	EL Οδηγίες συναρμολόγησης	SK Návod na montáž	BG Инструкции за монтаж
NL Montagevoorschrift	SV Montageföreskrifter	HU Szerelési előírás	JA 設置の説明書
ES Instrucciones de montaje	PL Instrukcja montażu	TR Montaj kılavuzu	ZH 装配说明





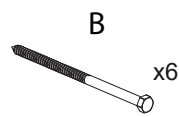
Wall Mount

x1



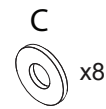
5/8"-10 x 2" Bolt with hole

x6



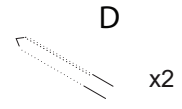
5/16" x 6" Lag Bolt

x6



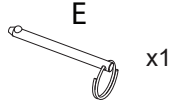
5/16" Washer

x8



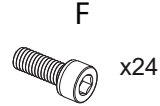
5/16" x 3" Lag

x2



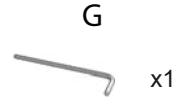
1/4" x 2 1/2" Push Pin

x1



M6 x 20 mm Socket Cap

x24



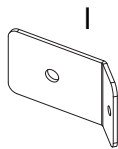
M2 Allen Key

x1



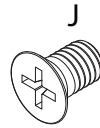
M5 Allen Key

x1



Wall Plate

x6



M5 x 6 mm Flat Head Screw

x8



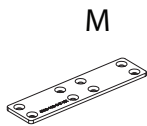
M5 x 10 mm Screw

x6



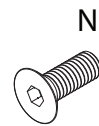
M4 x 6 mm Set Screw

x24



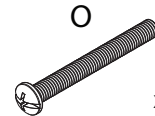
Spacer Bracket

x2



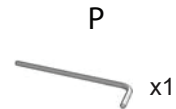
M6 x 16 mm Flat Socket Head Screw

x4



M8 x 70 mm Screw

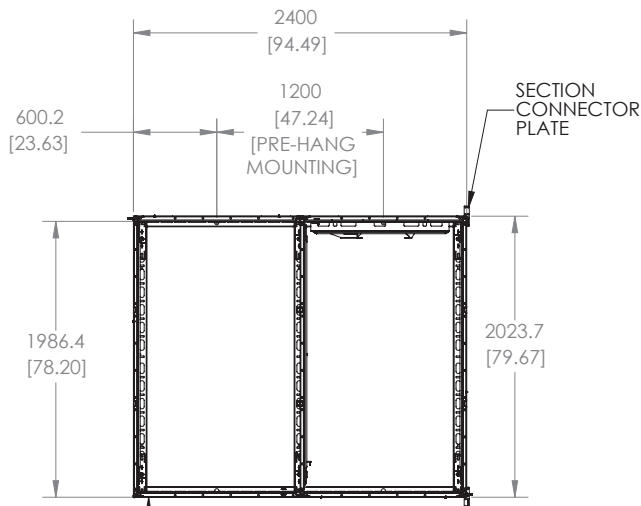
x2



5/32" Allen Key

x1

1



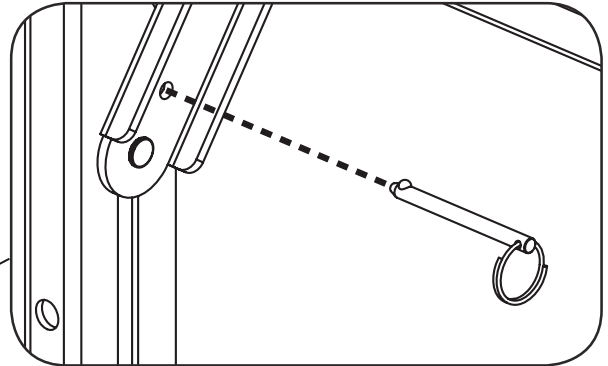
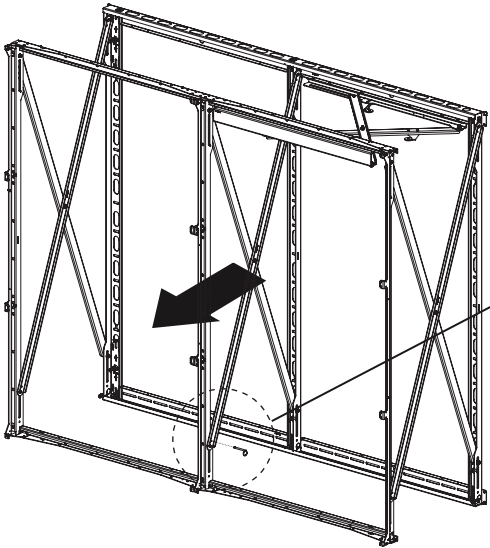
TO DETERMINE THE POSITION OF THE PRE-HANGER SCREW
FIRST MEASURE THE DISTANCE REQUIRED FROM THE FLOOR
TO THE BOTTOM EDGE OF THE FRAME AND ADD 1986.4 mm [78.20"]

- 1) Find your desired mounting location.
- 2) Drill the 5/16" x 3" lag bolt (D) with washer (C) into the wall



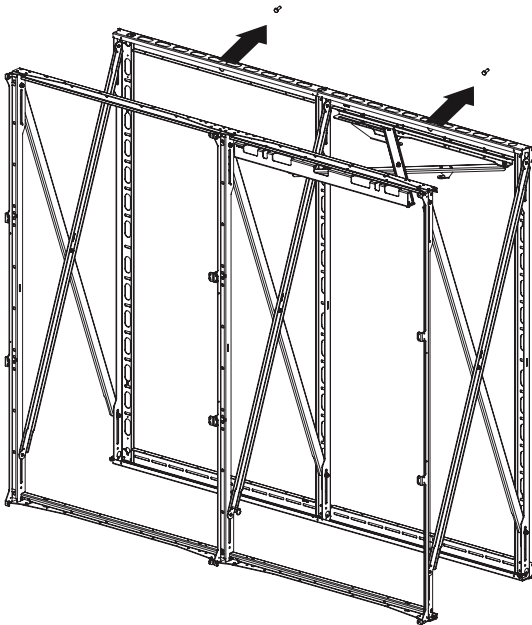
Do not fully drill 5/16" x 3" lag bolt into the wall. Leave 25 mm [1" inch] out.

2

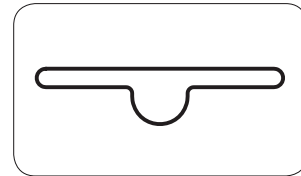


- 1) Extend the mount.
- 2) Install the 1/4"x 2 1/2" Push Pin (E) to keep the mount extended.

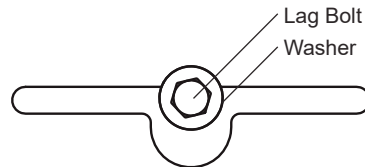
3



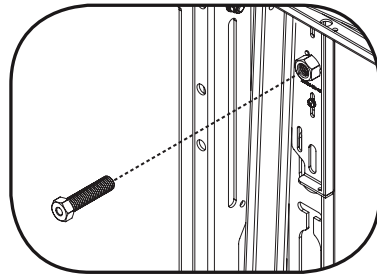
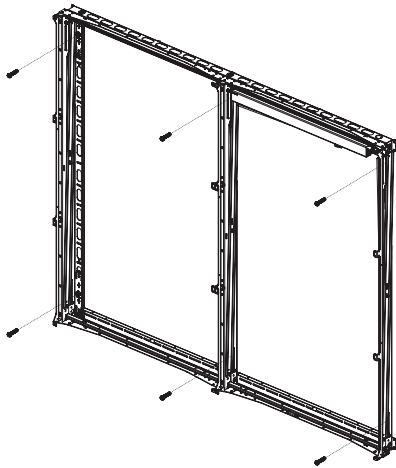
Key Slot



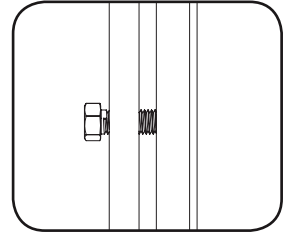
Place the wall mount over the lag bolt (D) through the key slot hole.



4

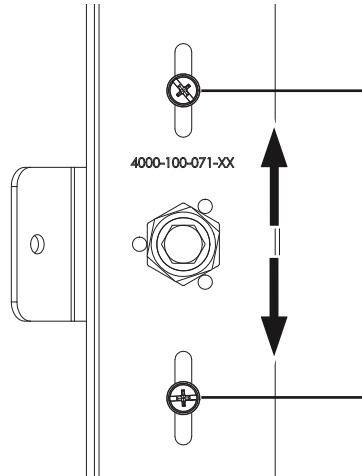
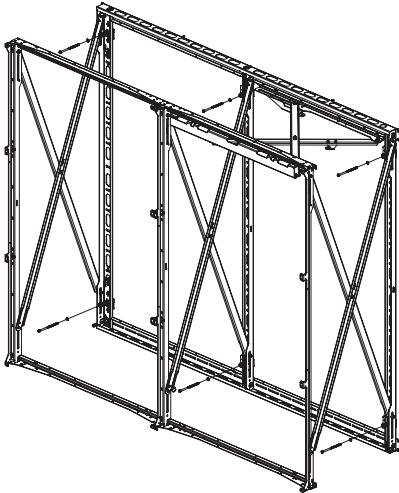


Flush Bolt

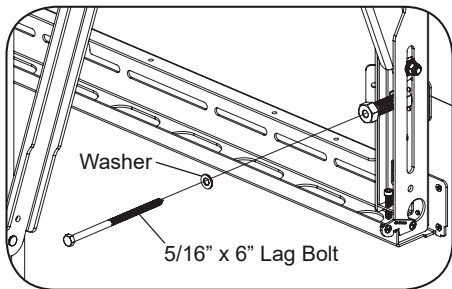


Install the six (6) 5/8"-10 x 2" Bolt (A) with hole into the wall mount.

5



Before installing the 5/16" x 6" lag bolt (B) and washer (C) make sure the phillips screw is in the center of the slots. This will give 1/2" adjustments either up or down.



Wall Bracket

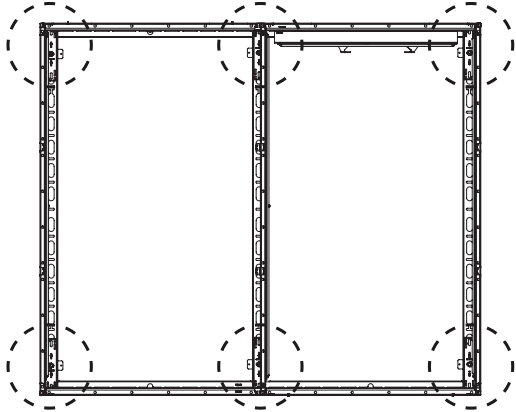
Washer

5/16" x 6" Lag Bolt

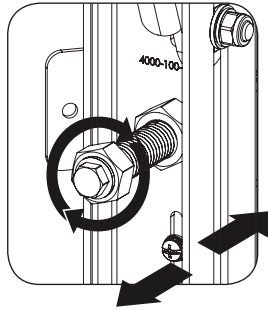
- 1) Level the wall mount.
- 2) Place the wall bracket (I) between the wall mount and wall.
- 3) Secure the mount into the wall using six (6) 5/16" x 6" lag bolts (B) and six (6) 5/16" washers (C) into the 5/8"-10 x 2" Bolt with hole.

6

Adjustments

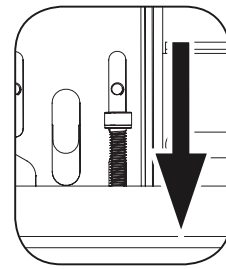
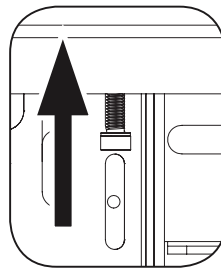


In / Out



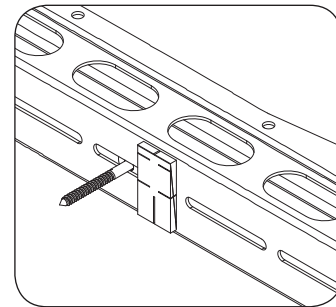
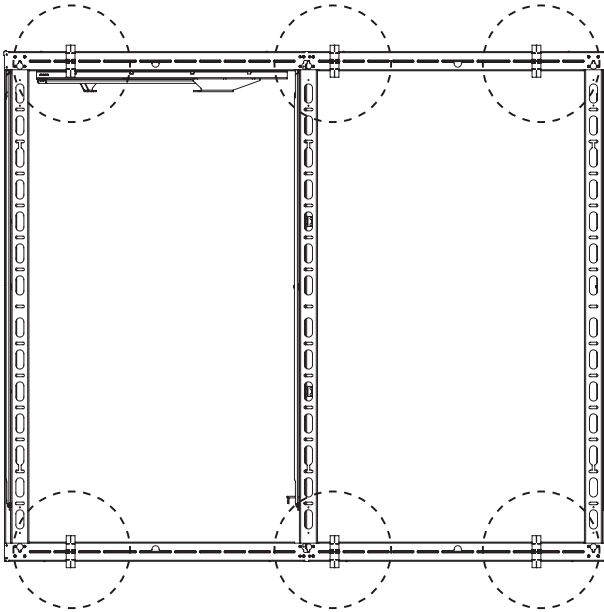
Uneven wall surfaces can be adjust by turning the 5/8"-10 x 2 Bolt with hole.

Up / Down

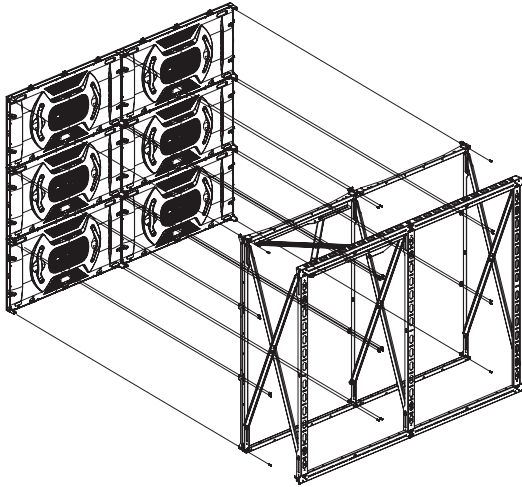


7

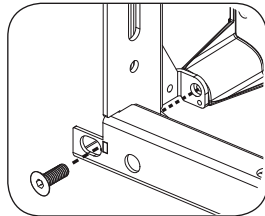
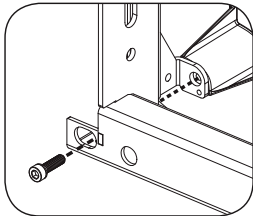
Note: If using the additional slots for mounting points, make sure that the floating frame is fully level to the wall vertically and horizontally. Must use shims (commercially available) on every slots being used to fill the void between the wall and the frame. Avoid over tightening the screws as this would make the floating frame uneven.



8

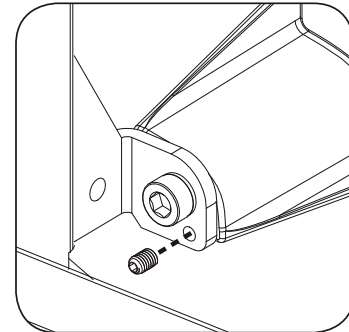
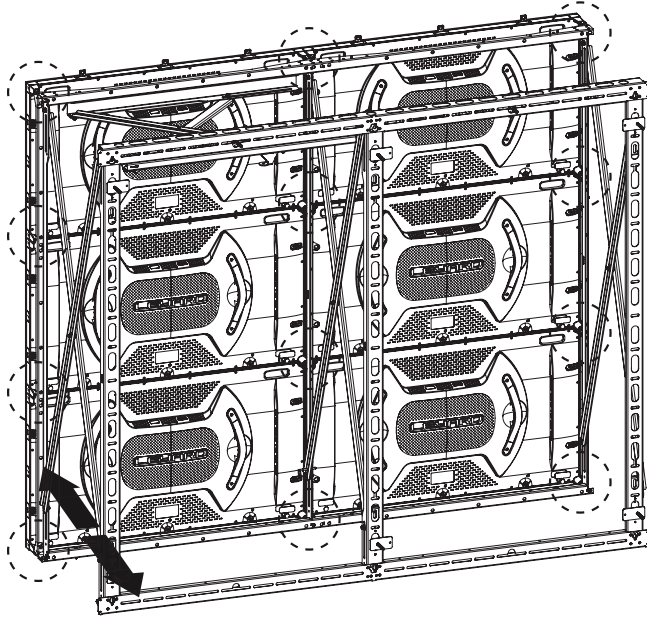


5	6
3	4
1	2



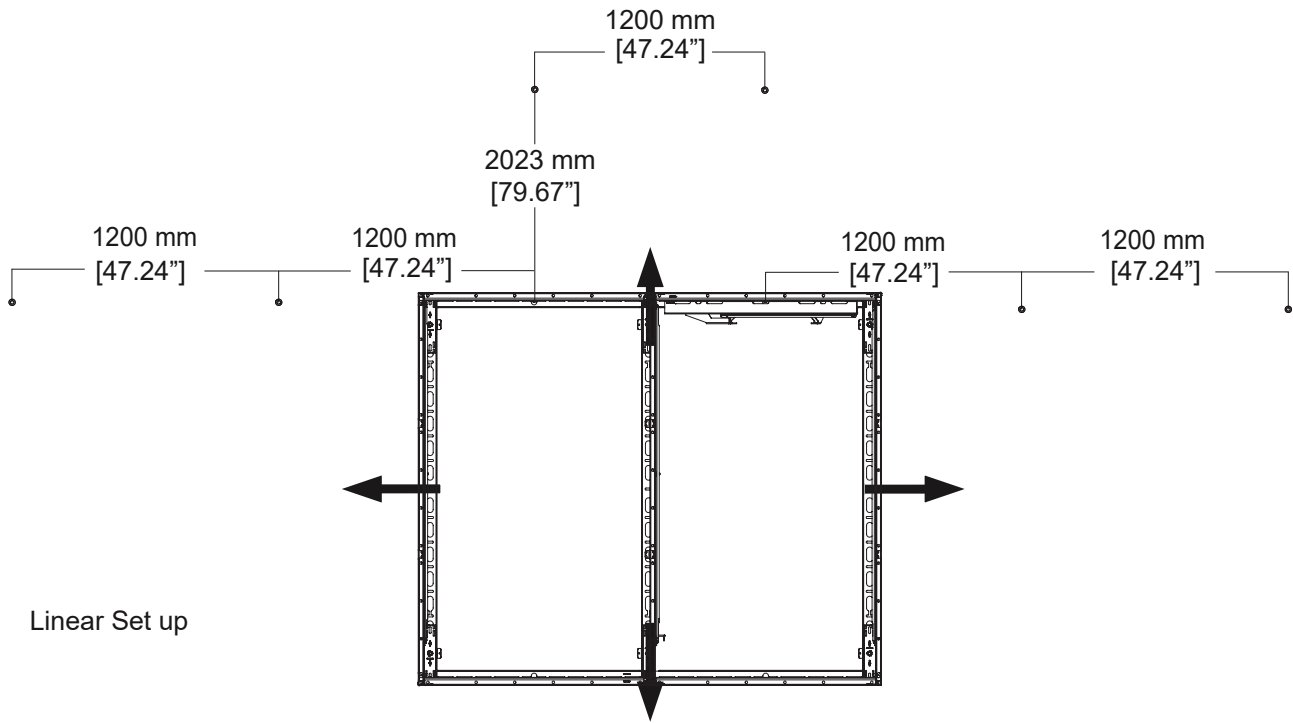
- 1) Use four (4) M6 x 16 mm flat socket head screws (N) on the first LED display to center it in place.
- 2) Install the second and third LED display using four (4) M6 x 20 mm socket cap screw in each LED display (F).
- 3) Optional to change the M6 x 16 mm flat socket head screws (N) to M6 x 20 mm socket cap screws (F).
- 4) Install the LED panels in the following order as shown above.

9

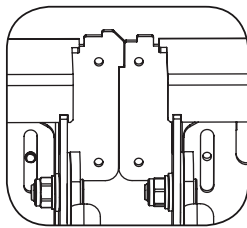
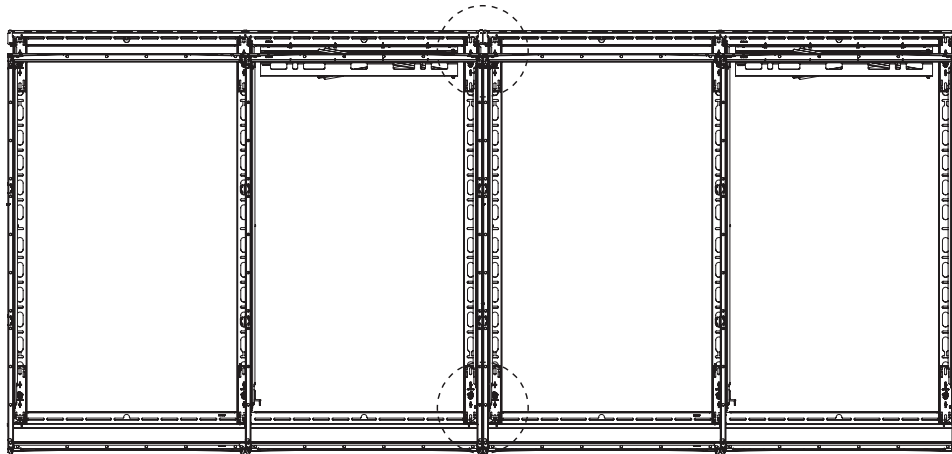


Install twenty four (24) M4 x 6 mm set screws (L). You can adjust the panel in & out by using the M2 Allen key (G).

10

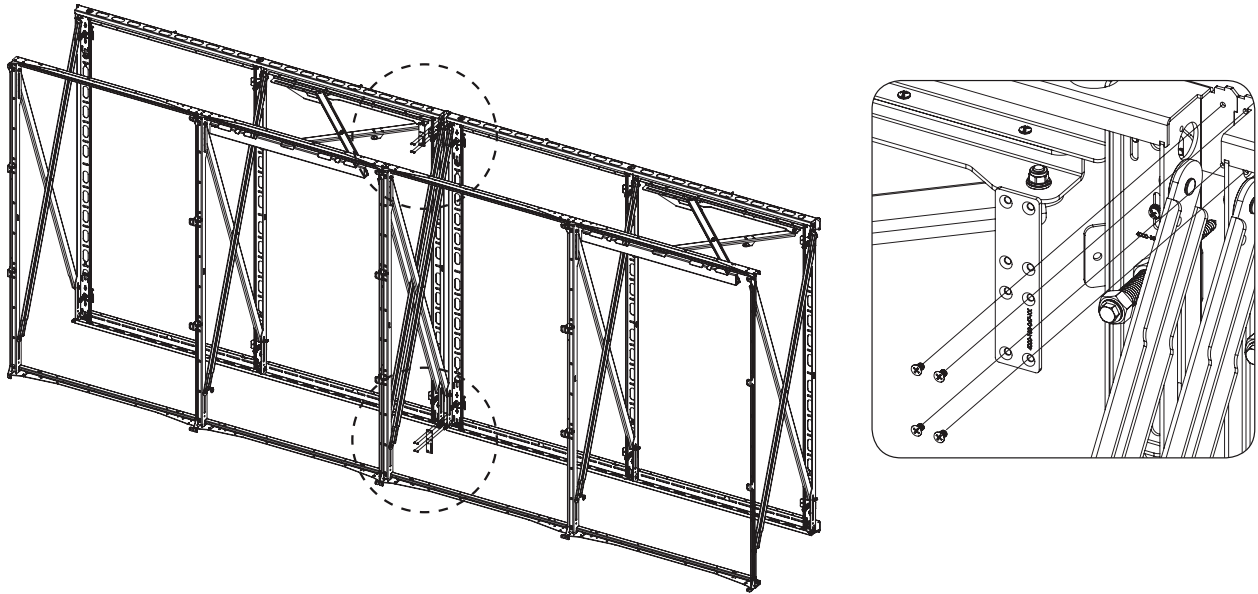


11



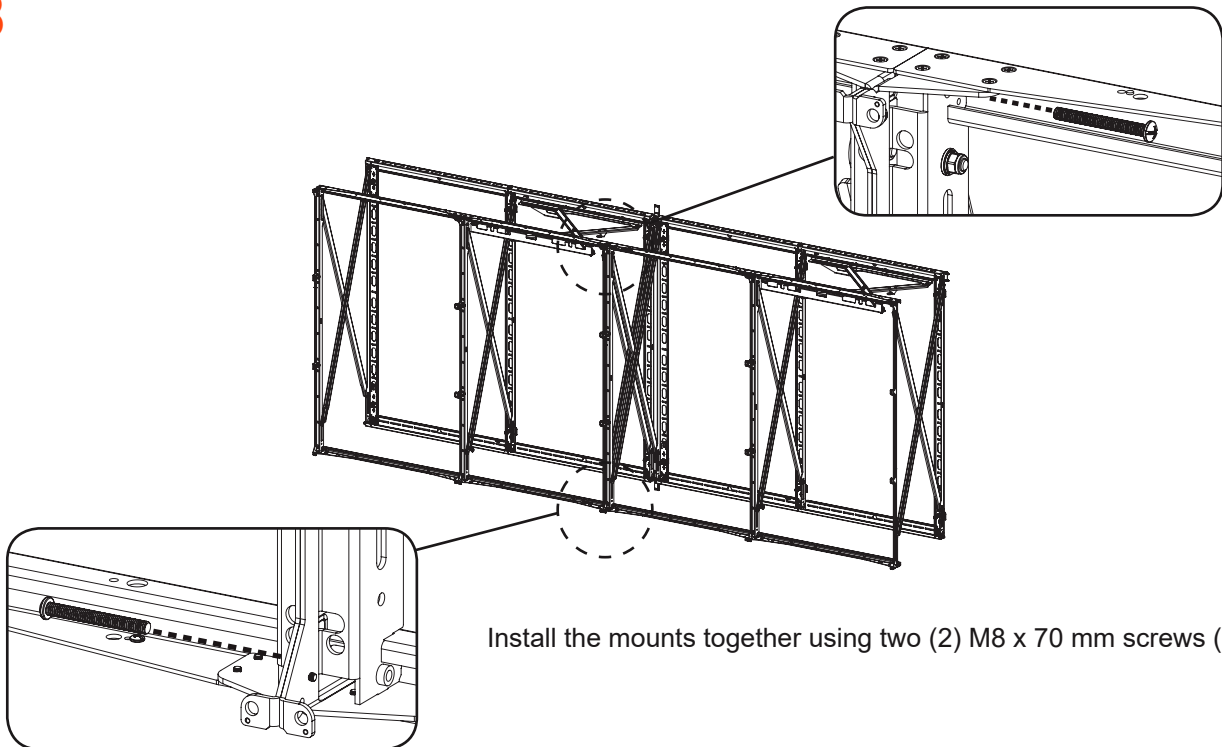
Align the tabs with each other.

12



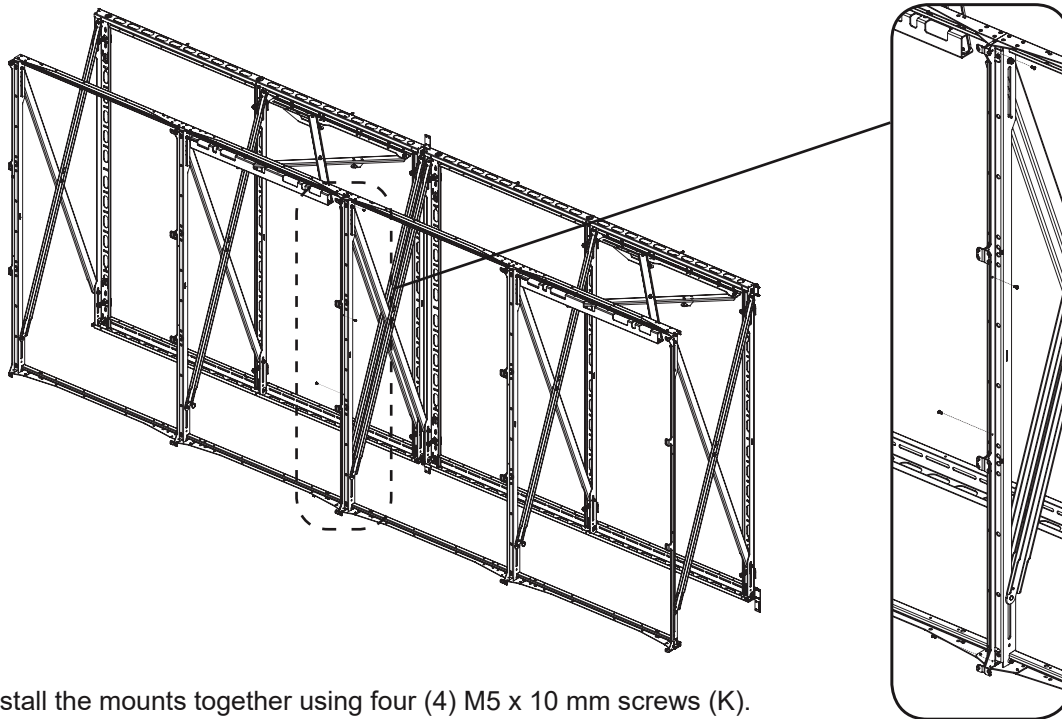
Install the spacer brackets (M) to the mount using (8) M5 x 6 mm flat head screws (J).
Four (4) screws per bracket.

13



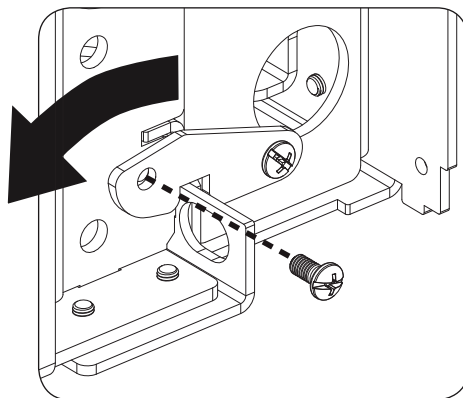
Install the mounts together using two (2) M8 x 70 mm screws (O).

14



Install the mounts together using four (4) M5 x 10 mm screws (K).

15



To collapse the mount and secure, remove the push pin than install two (2) M5 x 10 mm screws (K). One screw per latch.

Adjustments

See steps 6 and 9.

- (GB) Subject to printing errors and technical amendments.
- (NL) Drukfouten en technische wijzigingen voorbehouden.
- (F) Sous réserve de fautes d'impression et de modifications techniques.
- (D) Für Druckfehler übernehmen wir keine Verantwortung. Technische Änderungen vorbehalten.
- (E) Reservados errores de imprenta y sujete a modificaciones.
- (I) Con riserva di modifiche tecniche e di eventuali errori di stampa.
- (P) Reserva-se a ocorrência de gralhas e de modificações técnicas.
- (H) Nyomdahibák és technikai változtatások joga fenntartva.
- (PL) Zastrzeżenie się na możliwość występowania błędów drukarskich i zmian technicznych.
- (RUS) Возможны опибки при печати и технические модификации.

Designed and engineered in the Netherlands
More information on: www.vogels.com

VOGEL'S PRODUCTS BV, HONDSRUGLAAN 93, 5628 DB EINDHOVEN, THE NETHERLANDS