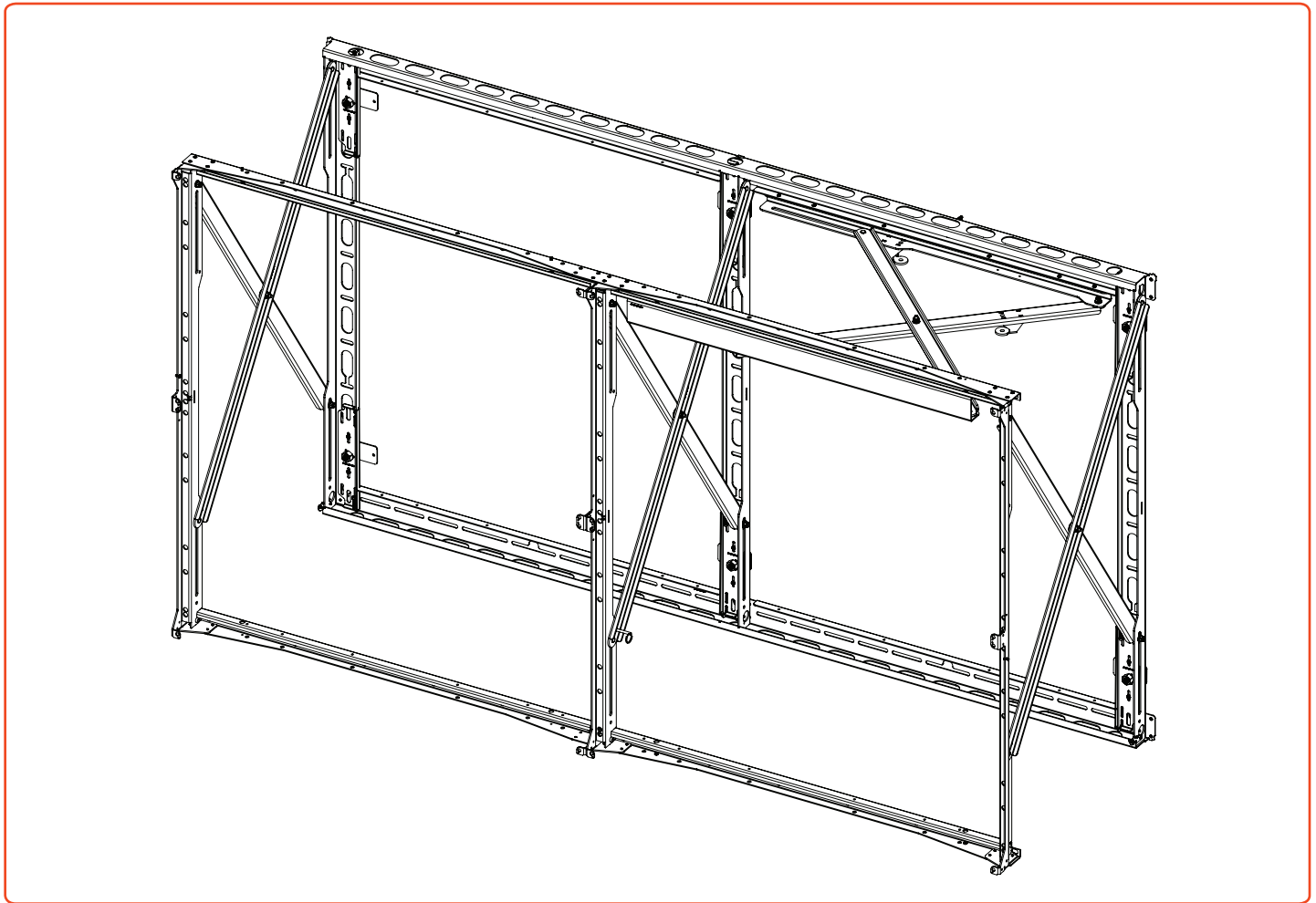




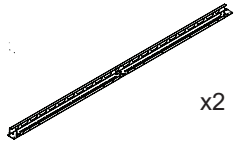
PLW 1002 - 2x2 LED video wall mount

EN Mounting instructions	IT Istruzioni di montaggio	RU Инструкция по сборке и установке	RO Instrucțiuni de montaj
DE Montageanleitung	PT Manual de montagem	CZE Návod k montáži	UK Вказівки по монтажі
FR Consignes d'installation	EL Οδηγίες συναρμολόγησης	SK Návod na montáž	BG Инструкции за монтаж
NL Montagevoorschrift	SV Montageföreskrifter	HU Szerelési előírás	JA 設置の説明書
ES Instrucciones de montaje	PL Instrukcja montażu	TR Montaj kılavuzu	ZH 装配说明

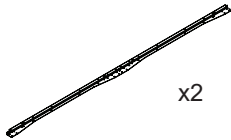




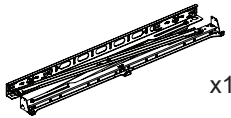
Cross Stabilizer



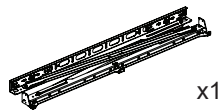
Scissor Support Wall Bracket



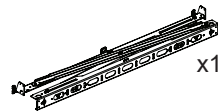
Horizontal Support



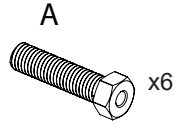
Left Scissor Support



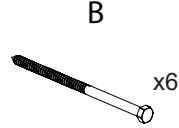
Right Scissor Support



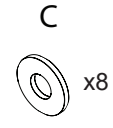
Center Scissor Support



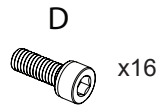
5/8"-10 x 2" Bolt with hole



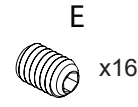
5/16" x 6" Lag Bolt



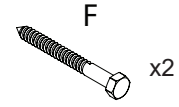
5/16" Washer



M6 x 20mm Socket Cap



M4 x 6mm Set Screw



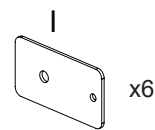
5/16" x 3" Lag Bolt



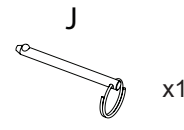
M2 Allen Key



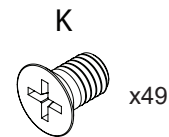
M5 Allen Key



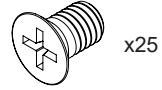
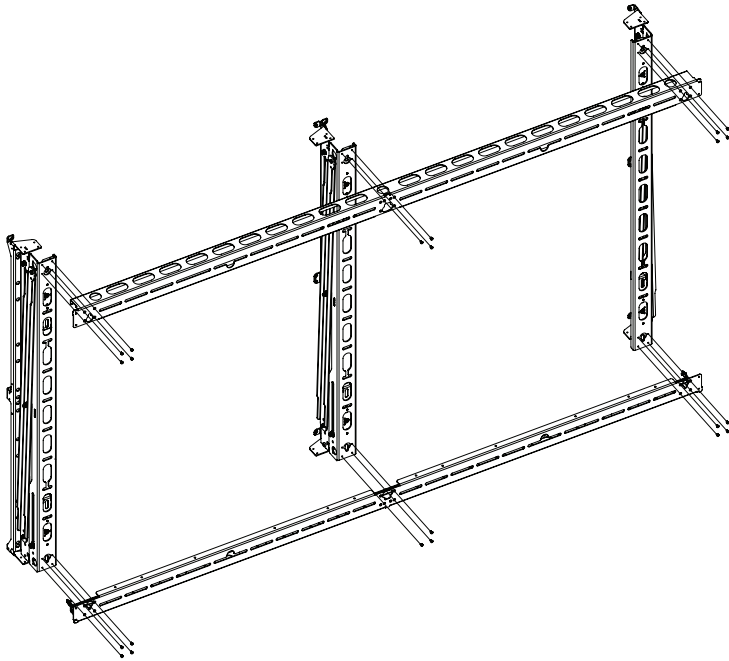
Wall Bracket



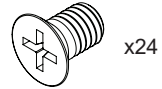
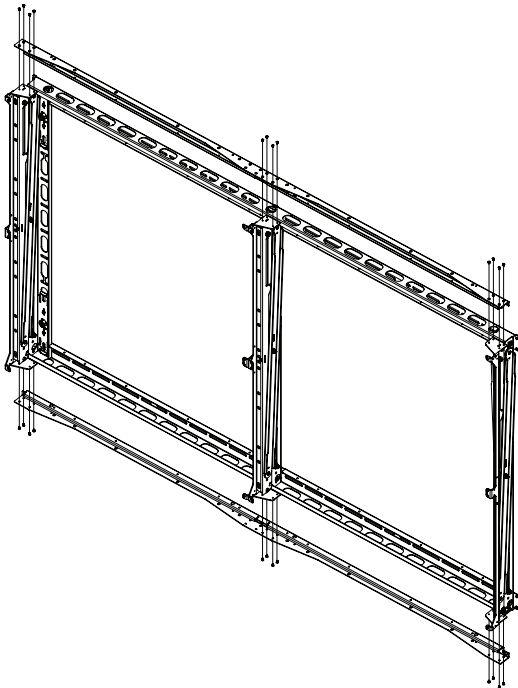
1/4" x 2 1/2" Push Pin



M5 x 8mm Flat Head Screw

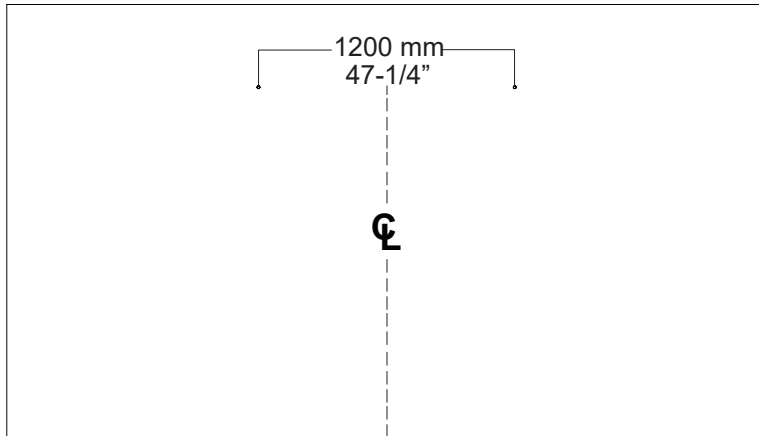


M5 x 8 mm Flat Head
Screw (K)



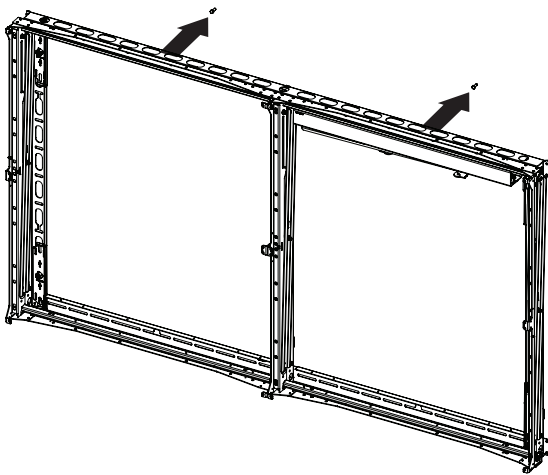
M5 x 8 mm Flat Head
Screw (K)

1

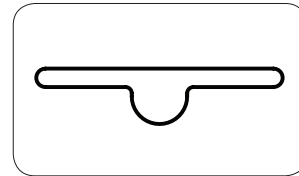


- 1) Find your desired mounting location.
- 2) Drill two 5/16" x 3" lag bolts (F) with washers (C) into the wall 47-1/4 inches (1200 mm) apart from each other.

2



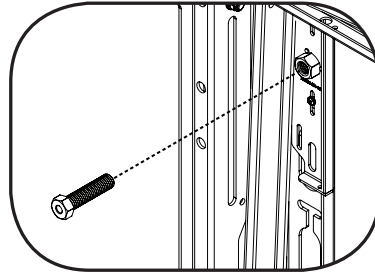
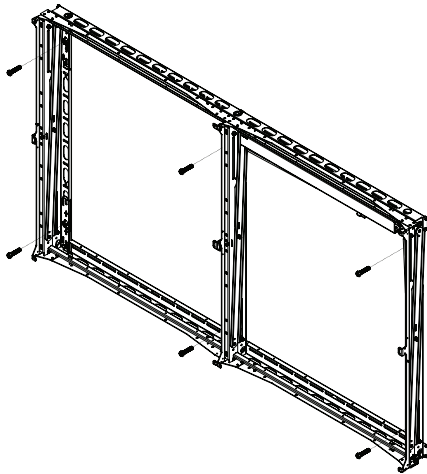
Key Slot



Place the wall mount over the lag bolt through the key slot hole.

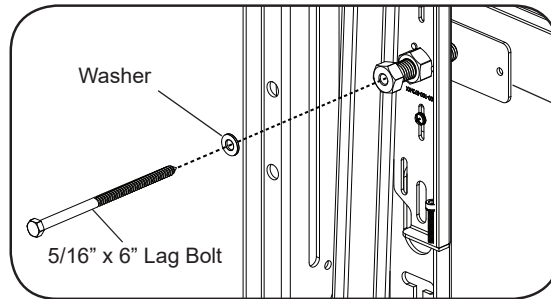
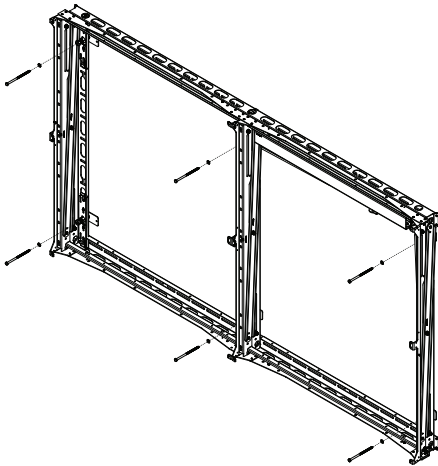


3



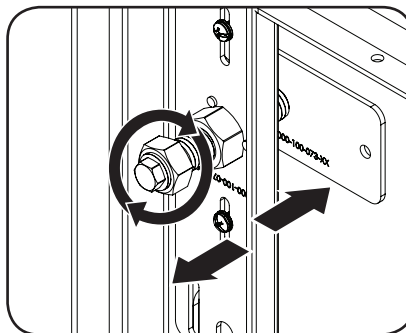
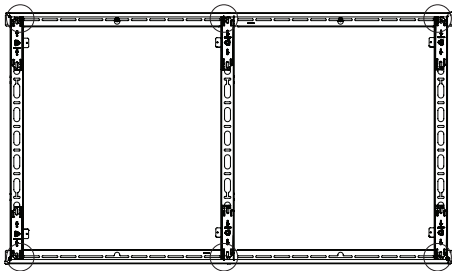
Install the six (6) 5/8"-10 x 2" Bolt (A) with hole into the wall mount.

4



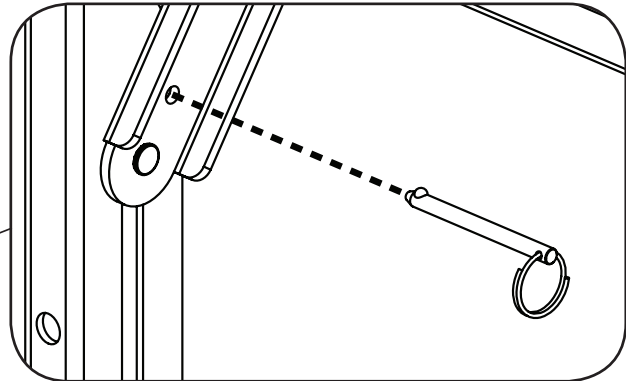
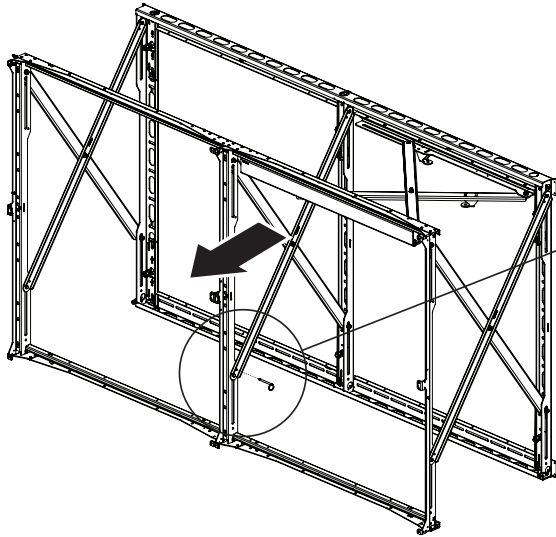
- 1) Level the wall mount.
- 2) Place the wall bracket (I) between the wall mount and wall.
- 3) Secure the mount into the wall using six (6) 5/16" x 6" lag bolts (B) and six (6) 5/16" washers (C) into the 5/8"-10 x 2" Bolt with hole.

5



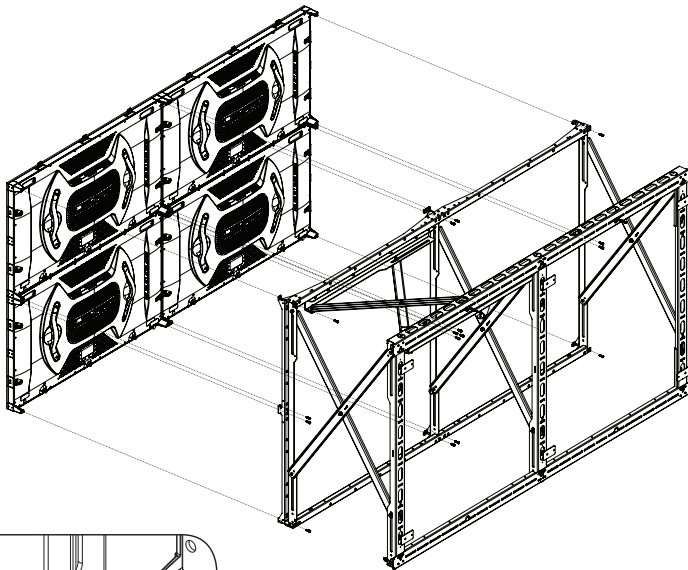
Uneven wall surfaces can be adjust by turning the 5/8"-10 x 2 Bolt with hole.

6



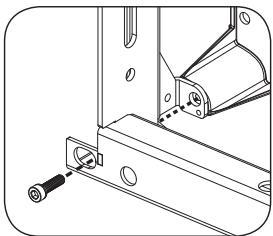
- 1) Extend the mount.
- 2) Install the 1/4" x 2 1/2" Push Pin (J) to keep the mount extended.

7



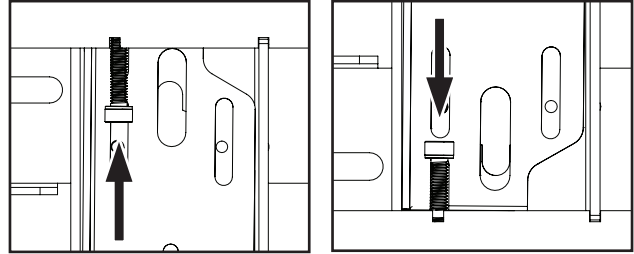
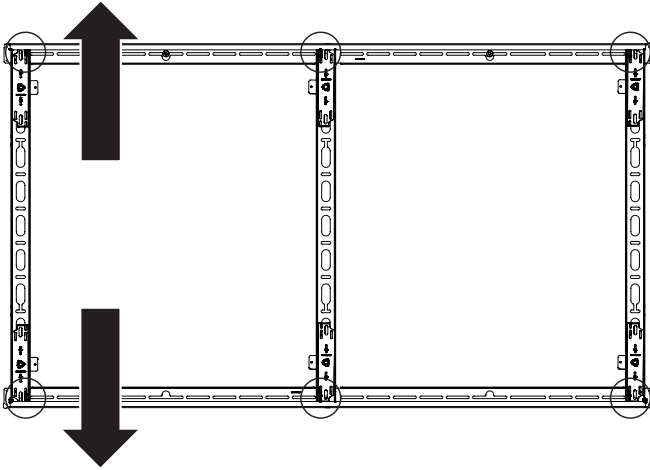
3	4
1	2

- 1) Install the LED panels using sixteen (16) M6 x 20 mm socket cap screws (D).
- 2) Install the LED panels in the following order shown above.
- 3) See next page for adjustments.

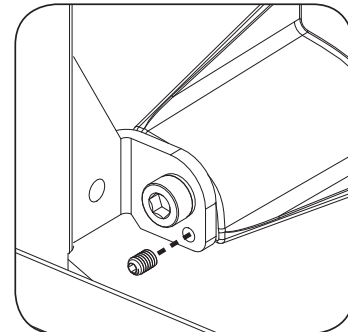
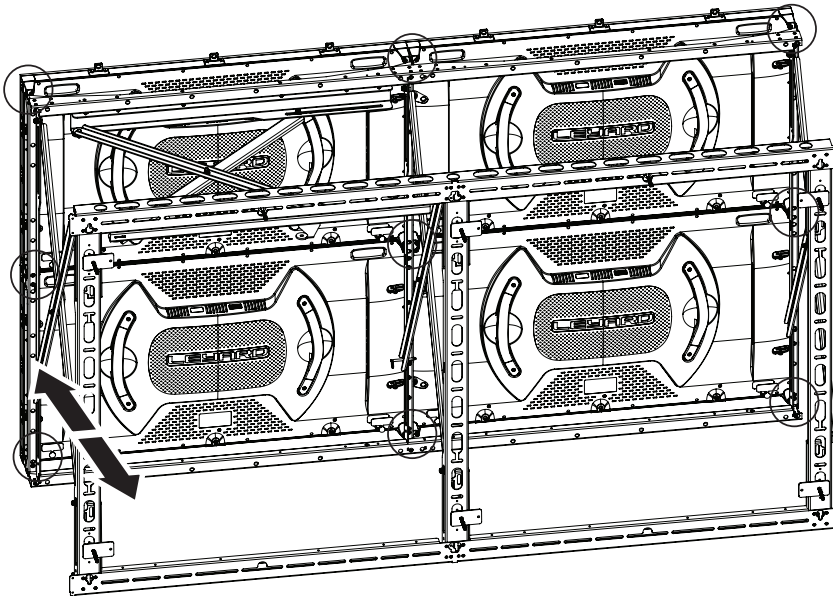


8

Adjustments



Use to the M5 Allen Key (H) on the M6 socket cap screw to adjust.



Install sixteen (16) M4 x 6 mm set screws (E). You can adjust the panel in & out by using the M2 Allen Key (G).

- (GB) Subject to printing errors and technical amendments.
- (NL) Drukfouten en technische wijzigingen voorbehouden.
- (F) Sous réserve de fautes d'impression et de modifications techniques.
- (D) Für Druckfehler übernehmen wir keine Verantwortung. Technische Änderungen vorbehalten.
- (E) Reservados errores de imprenta y sujete a modificaciones.
- (I) Con riserva di modifiche tecniche e di eventuali errori di stampa.

- (P) Reserva-se a ocorrência de galhas e de modificações técnicas.
- (H) Nyomdahibák és technikai változtatások joga fenntartva.
- (PL) Zastrzega się możliwość występowania błędów drukarskich i zmian technicznych.
- (RUS) Возможны ошибки при печати и технические модификации.

Designed and engineered in the Netherlands
More information on: www.vogels.com